

THIS DRAWING IS UNPUBLISHED.

RELEASED FOR PUBLICATION

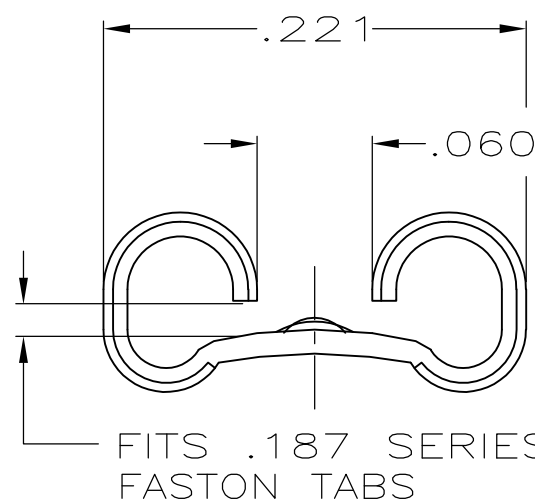
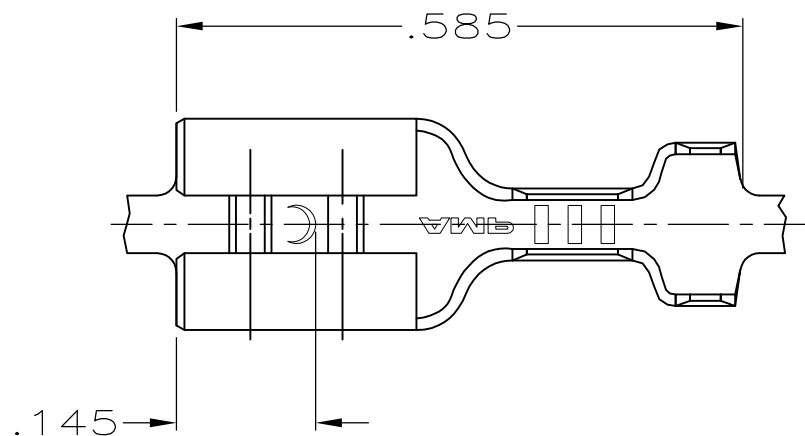
ALL RIGHTS RESERVED.

© COPYRIGHT - By -

LOC AF DIST 50

REVISIONS

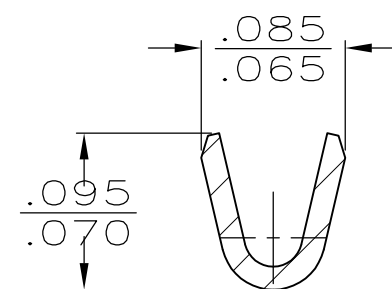
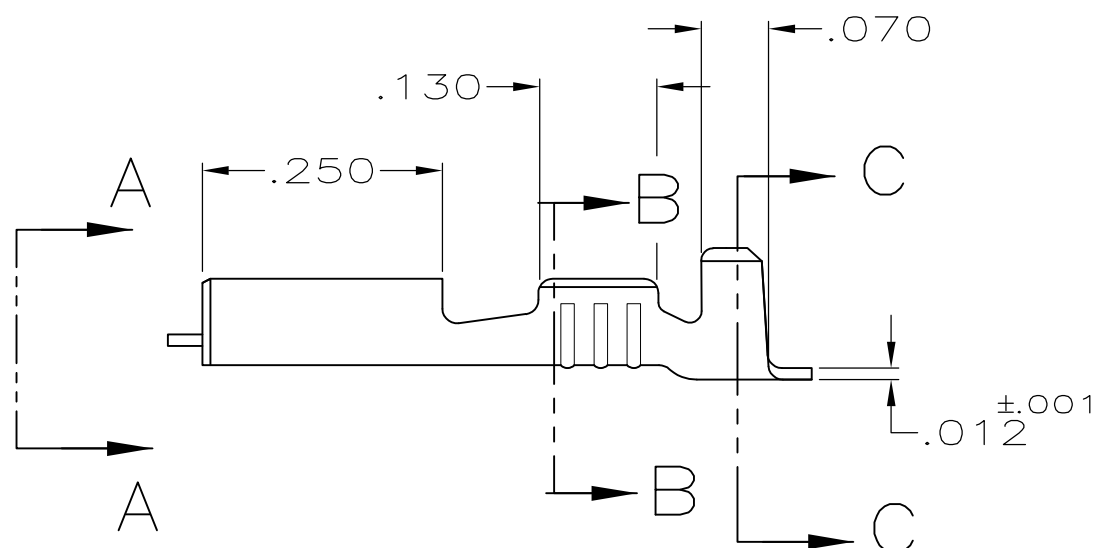
| P  | LTR | DESCRIPTION               | DATE      | DWN | APVD |
|----|-----|---------------------------|-----------|-----|------|
| G1 |     | REVISED PER ECR-14-004075 | 24MAR2014 | NK  | RL   |



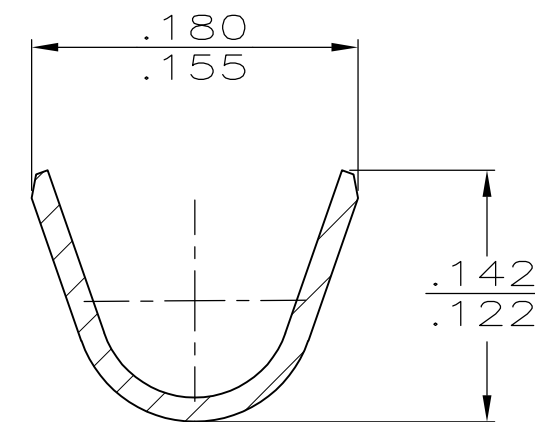
FITS .187 SERIES FASTON TABS

VIEW A-A  
SCALE 8:1

- 1 CONTINUOUS STRIP ON REELS.
- 2 FINISH LEAD-FREE, MATTE TIN OVER NICKEL



SECTION B-B  
SCALE 10:1



SECTION C-C  
SCALE 10:1

|                  |            |                       |        |          |
|------------------|------------|-----------------------|--------|----------|
| .060-.110 DIA    | #24-20 AWG | .020                  | 2      | 62138-4  |
|                  |            |                       | -      | 62138-2  |
|                  |            |                       | TIN    | 62138-1  |
| INSULATION RANGE | WIRE SIZE  | MATING TAB THK ± .001 | FINISH | PART NO. |

|  |  |                       |   |  |  |
|--|--|-----------------------|---|--|--|
| THIS DRAWING IS A CONTROLLED DOCUMENT. |  | DWN JR RUTH 8/15/91   | <b>STE</b> TE Connectivity              |  |  |
| DIMENSIONS: INCHES                     |  | CHK MS FEHER 8/15/91  |   |  |  |
| TOLERANCES UNLESS OTHERWISE SPECIFIED: |  | APVD C MEYERS 8/15/91 | NAME RECEPTACLE, FASTON, .187 SERIES    |  |  |
| 0 PLC ± -                              |  | PRODUCT SPEC -        | SIZE CAGE CODE DRAWING NO RESTRICTED TO |  |  |
| 1 PLC ± -                              |  | APPLICATION SPEC -    | A3 00779 C-62138                        |  |  |
| 2 PLC ± -                              |  | WEIGHT -              | SCALE 5:1 SHEET 1 OF 1 REV G1           |  |  |
| 3 PLC ± .015                           |  |                       |   |  |  |
| 4 PLC ± -                              |  |                       |   |  |  |
| ANGLES ± -                             |  |                       |   |  |  |
| MATERIAL BRASS                         |  | FINISH SEE TABLE      |   |  |  |